

TEAC

SERVICE MANUAL

MC-DX220i/MC-DX22i

MICRO Hi-Fi SYSTEM



NOTES

- PC board shown are viewed from parts side.
- The parts with no reference number or no parts number in the exploded views are not supplied.
- As regards the resistors and capacitors, refer to the circuit diagrams contained in this manual.
- Parts marked with this sign are safety critical components. they must be replaced with identical components - refer to the appropriate parts list and ensure exact replacement.
- Parts of [] mark can be used only with the version designated.
[E]: Europe [UK]: U.K - MC-DX220i
[T/C]: USA - MC-DX22i

CONTENTS

1 SAFETY INFORMATION	2
2 SPECIFICATIONS	3
3 ADJUSTMENT AND CHECKS	4
4 EXPLODED VIEW AND PARTS LIST	6
5 PC BOARDS AND PARTS LISTS	10
6 WIRING DIAGRAM	20
7 INCLUDED ACCESSORIES	22

MC-DX220i/MC-DX22i

1 SAFETY INFORMATION

SAFETY INFORMATION

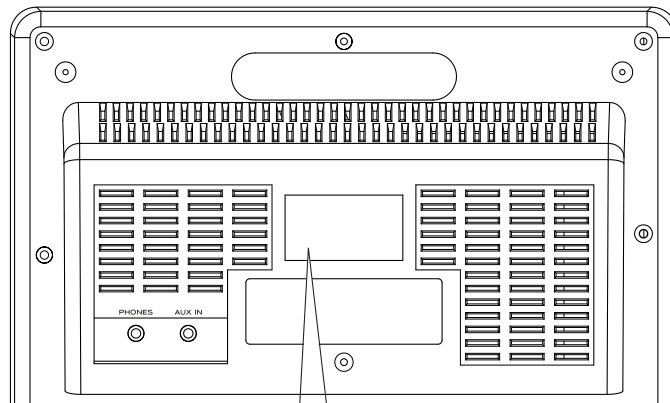
This product has been designed and manufactured according to FDA regulations " title 21, CFR, chapter 1, subchapter J, based on The Radiation Control for Health and Safety Act of 1968" and is classified as class 1 laser product. There is not hazardous invisible laser radiation during operation because invisible laser radiation emitted inside of this product is completely confined in the protective housings. The label required in this regulation is shown ①.

• **CAUTION**

USE OF CONTROLS OR ADJUSTMENT OR PERFORMANCE OF PROCEDURES OTHER THAN THOSE SPECIFIED HEREIN MAY RESULT IN HAZARDOUS RADIATION EXPOSURE.

DO NOT REMOVE THE PROTECTIVE HOUSING USING SCREWDRIVER.

IF THIS PRODUCT DEVELOPS TROUBLE, MAKE A CONTACT WITH OUR SERVICEMAN, AND DO NOT USE THE PRODUCT A TROUBLED STATE.



CERTIFICATION
THIS PRODUCT COMPLIES WITH DHHS
RULES 21 CFR SUBCHAPTER J APPLI-
CABLE AT DATE OF MANUFACTURE.
TEAC CORPORATION
3-7-3, NAKA-CHO, MUSASHINO-SHI, TOKYO, JAPAN
MANUFACTURED :
SERIAL NO.

①
FOR U.S.A.

Optical pickup:
Type : DA23Z1
Manufacturer : SANYO Electric-Co., Ltd
Laser output : Less than 0.5 mW on the objective lens
Wavelength : 765 - 815 nm

MC-DX220i/MC-DX22i

2 SPECIFICATIONS

Amplifier Section

Output Power (L+R)	5W + 5W
Output Power Subwoofer:	15 W
Input Sensitivity	300mV
Frequency Response :	50 to 20,000 Hz

Tuner Section (FM)

Frequency Range	87.5 MHz to 108.0 MHz
Sensitivity (S/N30dB)	20dBuV

Tuner Section (AM)

Frequency Range	520 to 1710 kHz (USA) 522 to 1620 kHz (EUR/UK)
Sensitivity (S/N20dB)	54dBuV/m

CD Player Section

Frequency Responce	20 to 20,000 Hz (+/-1dB)
Signa-to-Noise Ratio	55 dB
Wow and Flutter	Unmeasurable

SPEAKER SYSTEM Section

L & R speaker :	
Type :	Full range flat type
Impedance :	4 ohms
Subwoofer:	
Impedance :	8 ohms

GENERAL

Power Requirements:	AC120V, 60 Hz (USA) AC230V, 50 Hz (EUR/UK)
Power Consumption:	80 W
Dimension (W x H x D):	Main Unit 255 x 169.5 x 115 mm L & R Speaker 210x 169.5 x 81mm Subwoofer 160 x 245 x 335mm
Weight: (net)	Main Unit 1.4 kg L & R Speaker 0.7 kg(each) Subwoofer 5.3 kg

Standard Accessories:

Remote control unit x 1
Battery for remote control unit x 1
Subwoofer cable x 1
Speaker cable x 2
FM antenna x 1
AM antenna x 1
Stereo mini plug cable x 1
Dock adaptor x 8 (adaptor "60GB(color)+ Photo 40GB/60GB" premounted)
Cover for the dock x 1
Wall mount brackets x 4
Screw (short) x 8
Screw (long) x 4
Tape plastic wall anchor x 4
Guide sheet for wall mounting x 2
Owner's manual x 1
Warranty card x 1
Quick guide for connection x 1

- Design and specifications are subject to change without notice.
- Illustrations may differ slightly from production models.
- Weight and dimensions are approximate.

MC-DX220i/MC-DX22i

3 ADJUSTMENTS AND CHECKS

3-1 TUNER SECTION

- Use a screwdriver with a plastic or ceramic grip for all adjustment.

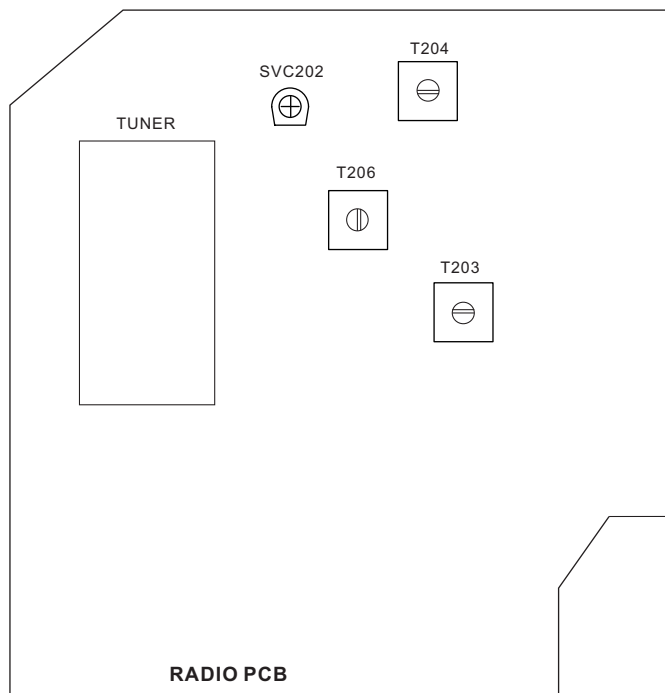
3-1-1 FM adjustment

1. Set the function switch to the FM position.
2. Connect the signal generator output through a 75 ohm dummy antenna to "ANT" on TUNER PCB.
3. Connect the oscilloscope to the speaker terminal.
4. Set the signal generator as listed in the alignment chart.

3-1-2 AM adjustment

1. Set the function switch to the AM position.
2. Connect the test loop antenna across the output of the signal generator.
3. Connect the oscilloscope to the speaker terminal.
4. Set the signal generator as listed in the alignment chart.

3-2 Adjustment and Test Points



MC-DX220i/MC-DX22i

3-2-1 AM alignment chart

ITEM	SG SETTING	TUNER SETTING	ADJUSTMENT POINT	ADJUSTMENT
AM				
1. IF adjustment	455kHz 1kHz, 30% mod	1710kHz (USA) 1620kHz (EUR/UK)	T203	Center for max. output.
2. AM band	520kHz (USA) 522kHz (EUR/UK) 1kHz, 30% mod	520kHz (USA) 522kHz (EUR/UK)	T206	Adjust for max. output and best waveform.
3. Tracking	600kHz (USA) 603kHz (EUR/UK) 1kHz, 30% mod	600kHz (USA) 603kHz (EUR/UK)	T204	
	1710kHz (USA) 1620kHz (EUR/UK) 1kHz, 30% mod	1710kHz (USA) 1620kHz (EUR/UK)	SVC202	
Repeat step 3 to obtain best tracking				

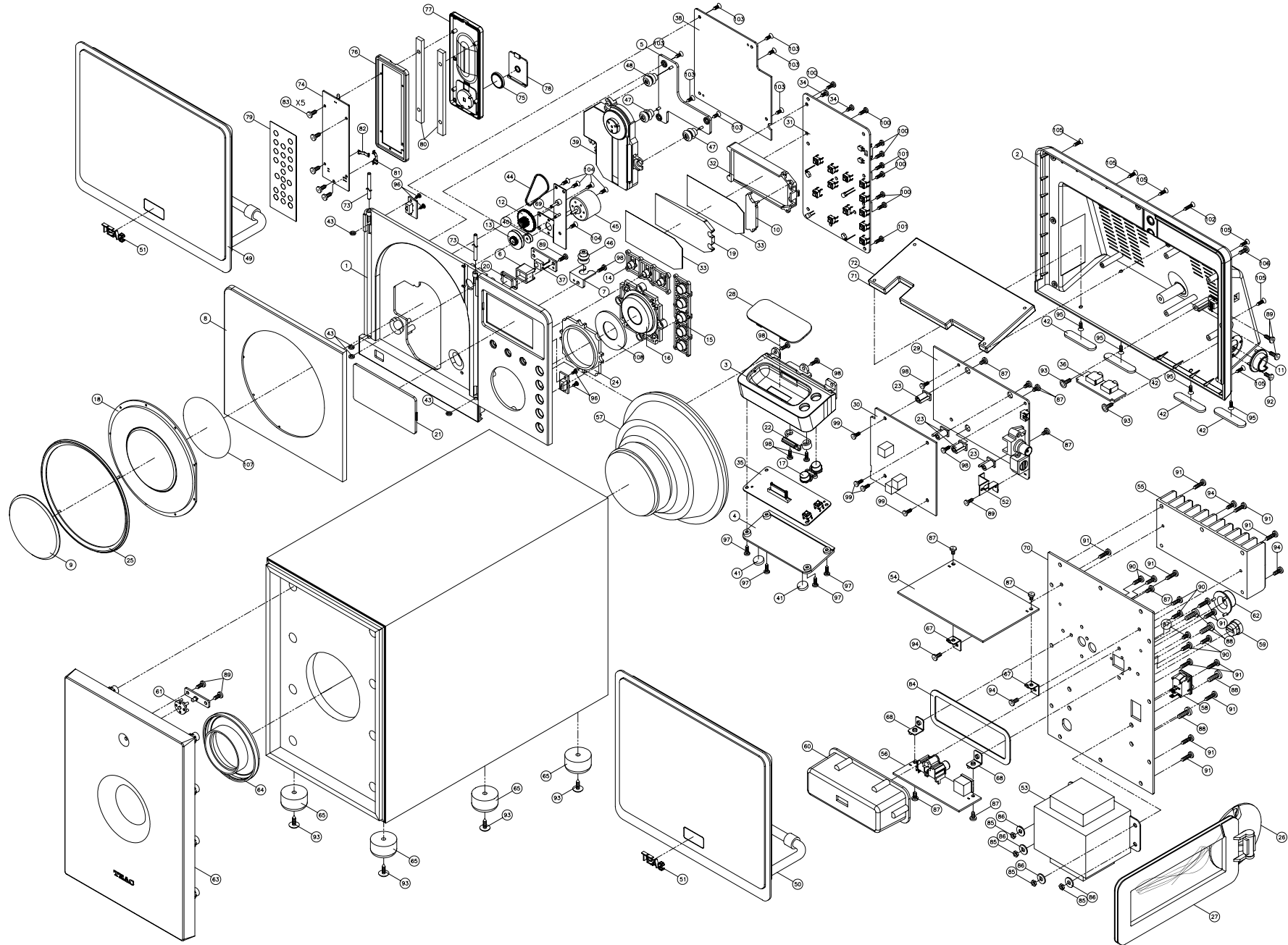
3-3 CD SECTION

Auto alignment.

MC-DX220i/MC-DX22i

4. EXPLODED VIEWS AND PARTS LIST

EXPLODED VIEW-1




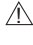
MC-DX220i/MC-DX22i

EXPLODED VIEW-1

REF. NO	PARTS NO.	DESCRIPTION	REMARKS
1-1	56-04DX2200B010	FRONT CABINET - BLACK [E]	
	56-04DX2200A010	FRONT CABINET - SILVER [E,UK]	
	56-04DX2200B020	FRONT CABINET - BLACK [T/C]	
1-2	56-05DX2200B010	REAR CABINET - BLACK [E,T/C]	
	56-05DX2200A010	REAR CABINET - SILVER [E,UK]	
1-3	56-07DX2200B010	IPOD FRONT CABINET - BLACK [E,T/C]	
	56-07DX2200A010	IPOD FRONT CABINET - SILVER [E,UK]	
1-4	56-07DX2201B000	IPOD BOTTOM CABINET - BLACK [E,T/C]	
	56-07DX2201A000	IPOD BOTTOM CABINET - SILVER [E,UK]	
1-5	56-07DX22039000	CD DESK BRACKET	
1-6	56-07DX2204B000	REMOTE BRACKET - BLACK [E]	
	56-07DX22048000	REMOTE BRACKET- SILVER [E,UK]	
	56-07DX2214B000	REMOTE BRACKET -BLACK [T/C]	
1-7	56-07DX2205B000	SHOCK ABSORBER BRACKET- BLACK [E]	
	56-07DX22058000	SHOCK ABSORBER BRACKET- SILVER [E,UK]	
	56-07DX2215B000	SHOCK ABSORBER BRACKET- BLACK [T/C]	
1-8	56-14DX2200B010	CD DOOR - BLACK [E, T/C]	
	56-14DX2200A010	CD DOOR - SILVER [E,UK]	
1-9	56-22DX2200B000	CD DOOR COVER - BLACK [E]	
	56-22DX2200A000	CD DOOR COVER - SILVER [E,UK]	
	61-68CD10I00020	CD ALUM COVER [T/C]	
1-10	56-22DX2201B000	LED LEW COVER - BLACK [E]	
	56-22DX22018000	LED LEW COVER - SILVER [E,UK]	
	56-22DX2211B000	LED LEW COVER - BLACK [T/C]	
1-11	56-22DX2202B000	PROTECT COVER - BLACK [E]	
	56-22DX2202A000	PROTECT COVER - SILVER [E,UK]	
	56-22DX2212B000	PROTECT COVER - BLACK [T/C]	
1-12	56-24DX01500000	CD DOOR GEAR	
1-13	56-24DX01510000	STRAP GEAR	
1-14	56-54DX2200B000	FUNCTION KNOB GROUP -1 - BLACK [E]	
	56-54DX2200A000	FUNCTION KNOB GROUP -1 - SILVER [E,UK]	
	56-54DX2210A000	FUNCTION KNOB GROUP -1 - SILVER [T/C]	
1-15	56-54DX2201B010	FUNCTION KNOB GROUP -2 - BLACK [E]	
	56-54DX2201A010	FUNCTION KNOB GROUP -2 - SILVER [E,UK]	
	56-54DX2211A000	FUNCTION KNOB GROUP -2 - SILVER [T/C]	
1-16	56-54DX2202B010	PLAY KNOB GROUP - BLACK [E]	
	56-54DX2202A010	PLAY KNOB GROUP - SILVER [E, UK]	
	56-54DX221AB000	PLAY KNOB GROUP - SILVER [T/C]	
1-17	56-54DX2203B010	IP VOL KNOB - BLACK [E]	
	56-54DX2203A010	IP VOL KNOB - SILVER [E,UK]	
	56-54DX2213A010	IP VOL KNOB - BLACK [T/C]	
1-18	56-57DX22000000	CD DOOR LENS	
1-19	56-57DX22010000	BACKLIGHT LENS	
1-20	56-57DX22022000	REMOTE LENS	
1-21	56-57DX22030010	DISPLAY LENS	
1-22	56-64DX2200B000	LATCH - BLACK [E]	
	56-64DX22008000	LATCH - SILVER [E,UK]	
	56-64DX2210B000	LATCH [T/C]	
1-23	56-67DX22009000	PCB BRACKET	
1-24	56-78DX22009000	SHINE RING	
1-25	56-78DX2202G000	CD DOOR RING	
1-26	56-07X20000B000	AM ANT STAND - BLACK	
1-27	56-27X20000B000	AM ANT HOLDER - BLACK	

MC-DX220i/MC-DX22i

EXPLODED VIEW-1

REF. NO	PARTS NO.	DESCRIPTION	REMARKS
1-28	56-22SRLX10B000	IPOD COVER - BLACK [E,T/C]	
	56-22SRLX10A000	IPOD COVER - SILVER [E,UK]	
1-29	05-01DX220I0000	MAIN PCB ASSY - BLACK [E]	
	05-01DX220I0010	MAIN PCB ASSY - SILVER [E,UK]	
	05-01DX22I00010	MAIN PCB ASSY [T/C]	
1-30	05-02DX220I0000	RADIO PCB ASSY [E,UK]	
	05-02DX22I00010	RADIO PCB ASSY [T/C]	
1-31	05-04DX220I0000	DISPLAY PCB ASSY [E,UK]	
	05-04DX22I00010	DISPLAY PCB ASSY [T/C]	
1-32	56-07DX22029000	BACKLIGHT BRACKET	
1-33	57-26DX22000020	FILTER SHEET	
1-34	66-140326180321	SELF-TAPPING SCREW TA/PH2.6X8MM	
1-35	05-08DX220I0000	IPOD SOCKET PCB ASSY	
1-36	05-09DX220I0000	HP PCB ASSY	
1-37	05-27DX220I0000	SENSOR PCB ASSY	
1-38	05-30DX220I0000	CD PCB ASSY	
1-39	20-70DA23Z10000	CD MECHANISM	
1-40	56-760000000020	DOOR MOTOR PULLY	
1-41	58-263102300120	RUBBER FOOT - BLACK	
1-42	58-26DX22000020	RUBBER FOOT W/TAPE	
1-43	58-26DX220I0020	RUBBER RING DIA5.4X3X0.8MM	
1-44	58-43DX01500020	DRIVE BELT DIA31X1MM	
1-45	58-44CD10I00020	DC MOTOR 5V	
1-46	58-61EX0M108120	SHOCK ABSORBER - GREY	
1-47	58-61MC23500020	SHOCK ABSORBER - GREY	
1-48	58-61MC23500120	SHOCK ABSORBER - BLACK	
1-49	19-50DX220I0220	SPEAKER BOX UNIT-L - BLACK [E,T/C]	
	19-50DX220I0020	SPEAKER BOX UNIT-L - SILVER [E,UK]	
1-50	19-50DX220I0320	SPEAKER BOX UNIT-R - BLACK [E,T/C]	
	19-50DX220I0120	SPEAKER BOX UNIT-R - SILVER [E,UK]	
1-51	56-58EXM5M0A000	LOGO BADGE	
1-52	61-11CDX0900020	DS METAL PLATE	
1-53	 18-205DX0150120	H/TRANSFORMER EI66 230V/50HZ - [E,UK]	
	 18-203DX0150120	H/TRANSFORMER EI66 120V/60HZ - [T/C]	
1-54	05-07DX220I0000	SUBWOOFER POWER PCB ASSY [E,UK]	
	05-07DX22I00000	SUBWOOFER POWER PCB ASSY [T/C]	
1-55	61-48DX01500020	HEAT SINK - A	
1-56	05-08DX01500010	RCA/D-S JACK PCB ASSY [E,UK]	
	05-08DX01500000	RCA/D-S JACK PCB ASSY [T/C]	
1-57	19-021153300120	SPEAKER 8 OHM 30W	
1-58	41-172111000310	SWITCH #MR2-111-CM-BB3NW-V0	
1-59	43-500000002020	AC CORD BUSHING	
1-60	56-22DX0150B000	PCB COVER	
1-61	56-57CDX0936000	LIGHT LENS - SUBWOOFER BOX	
1-62	56-78CD10I0B000	SAFEGUARD RING/SUB	
1-63	56-85CD10I0B010	SUBWOOFER PANEL - BLACK [E,T/C]	
	56-85CD10I0A010	SUBWOOFER PANEL - SILVER [E,UK]	
1-64	56-87CDX090B000	PLASTIC TUBE - BLACK [E,T/C]	
	56-87CDX0908000	PLASTIC TUBE - SILVER [E,UK]	
1-65	58-263253150020	RUBBER FOOT DIA25MM	
1-66	58-73DX01500121	SUBWOOFER BOX - BLACK [E,T/C]	
	58-73DX01500021	SUBWOOFER BOX - SILVER [E,UK]	

MC-DX220i/MC-DX22i

EXPLODED VIEW-1

REF. NO	PARTS NO.	DESCRIPTION	REMARKS
1-67	61-11V600000020	PCB BRACKET	
1-68	61-11V820010020	PCB FIX BRACKET (B)	
1-69	61-11DX01500321	MOTOR BRACKET	
1-70	61-33DX220I0020	SUBWOOFER REAR PANEL [E,UK]	
	61-33DX22I00020	SUBWOOFER REAR PANEL [T/C]	
1-71	61-11DX22000121	WEIGHT STEEL - 159X67.5X4MM	
1-72	61-11DX22000221	WEIGHT STEEL - 159X67.5X2MM	
1-73	61-80DX01500020	FERRUM SHAFT	
1-74	05-13CD10I00000	REMOTE PCB ASSY	
1-75	51-021301000080	LITHIUM BATTERY CR2032	
1-76	56-43DX0150A010	REMOTE FRONT CABINET [E,UK]	
	56-43DX0150B010	REMOTE FRONT CABINET [T/C]	
1-77	56-43DX0151B010	REMOTE REAR CABINET	
1-78	56-44DX0150B010	REMOTE BATTERY DOOR	
1-79	57-33DX 220I0020	REMOTE PLATE [E,UK]	
	57-33DX22I00020	REMOTE PLATE [T/C]	
1-80	61-11DX01500220	REMOTE AGGRAVATE FERRUM	
1-81	61-25DX01500021	BATTERY PLATE (+)	
1-82	61-25DX01500120	BATTERY PLATE (-)	
1-83	66-140520170121	SELF-TAPPING SCREW TA/KH2X7MM	
1-84	58-58DX01500320	CUSHION 106X40X1MM	
1-85	67-021400000020	NUT M4MM	
1-86	68-112403101000	METAL WASHER 4X10X1MM	
1-87	66-120230160121	MACHINE SCREW MS/BH3X6MM (BLK)	
1-88	66-120240212121	MACHINE SCREW MS/BH4X12MM (BLK)	
1-89	66-140230210321	SELF-TAPPING TA/BH3X10MM	
1-90	66-140230212121	SELF-TAPPING TA/BH3X12MM (BLK)	
1-91	66-140230214121	SELF-TAPPING TA/BH3X14MM (BLK)	
1-92	66-120330160321	MACHINE SCREW MS/PH3X6MM	
1-93	66-141430212121	SCREW TA/BWH3X12MM (BLK)	
1-94	66-150230180123	HARDEN SCREW BTTB3X8MM (BLK)	
1-95	66-120526210321	MACHINE SCREW MS/KH2.6X10MM	
1-96	66-140220150121	SELF-TAPPING TA/BH2X5MM (BLK)	
1-97	66-140226212311	SELF-TAPPING TA/BH2.6X12MM (BLK)	
1-98	66-140230180321	SELF-TAPPING TA/BH3X8MM	
1-99	66-140330180321	SELF-TAPPING TA/PH3X8MM	
1-100	66-140330210321	SELF-TAPPING TA/PH3X10MM	
1-101	66-140330212321	SELF-TAPPING TA/PH3X12MM	
1-102	66-140330214321	SELF-TAPPING TA/PH3X14MM	
1-103	66-140526180311	SELF-TAPPING TA/KH2.6X8MM	
1-104	66-140526180321	SELF-TAPPING TA/KH2.6X8MM	
1-105	66-140530212121	SELF-TAPPING TA/KH3X12MM (BLK)	
1-106	66-140530210121	SELF-TAPPING TA/KH3X10MM (BLK)	
1-107	57-08DX01500020	CD DOOR PVC PLATE DIA61.8MM [T/C]	
1-108	61-30DX22I00020	KNOB COVER [T/C]	

MC-DX220i/MC-DX22i

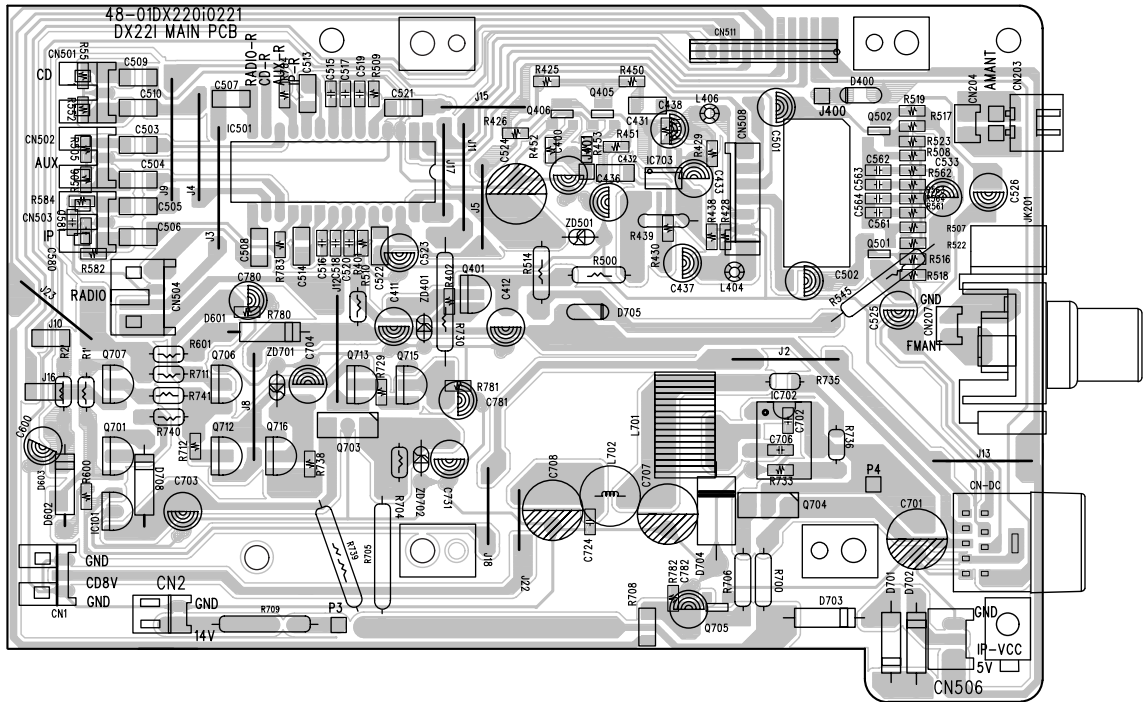
5 PC BOARDS AND PARTS LIST

MAIN PCB ASSY

REF. NO	PARTS NO.	DESCRIPTION	REMARKS
	05-01DX220I0000	MAIN PCB ASSY - BLACK [E]	
	05-01DX220I0010	MAIN PCB ASSY - SILVER [E,UK]	
	05-01DX22I00010	MAIN PCB ASSY - [T/C]	
	48-01DX220I0221	MAIN PCB	
CN1,501-503	43-022200130120	WAFER 2MM 3 PIN	
CN2	43-022200120120	WAFER 2MM 2PIN	
CN203	43-022250120221	WAFER 2.5MM 2PIN	
CN504	43-022200140120	WAFER 2MM 4 PIN	
CN506	43-012200130120	WAFER 2MM 3 PIN	
CN508	43-022200170120	WAFER 2MM 7PIN	
CN511	43-022150212120	WAFER 1.5MM 12 PIN	
CN-DC	43-462103003320	D-S TERMINAL #DSW-31	
D400,705	12-1N4148000125	DIODE 1N4148	
D601	12-1N5819000121	SMD RECTIFIER DIODE 1N5819	
D602,701-703,708	12-1N40010000P1	DIODE 1N4001	
IC101	16-LM78L0500121	IC - LA78L05	
IC501	16-LC7534200021	IC - LC75342	
IC703	16-SC1308000021	IC - SC1308-01	
JK201	43-421000003120	COAXIAL JACK IF-01A	
L404,406	38-013100050120	AXIAL INDUCTOR 10UH #EC-24	
Q401,716	11-8050C0000025	TR - 8050C	
Q405,406,501, Q502,,705	11-PMBT39040021	SMD TR - PMBT3904	
Q701,707	11-9015C0000021	TR - 9015C	
Q703	16-KA7808000221	IC - KA7808E	
Q704	11-KSB772YS0021	TR - KSB772SY	
Q712,713	11-8550C0000025	TR - 8550C	
Q706,715	11-9014C0000025	TR - 9014C	
ZD401	12-011470320125	ZENER DIODE 4.7V	
ZD501	12-011680320125	ZENER DIODE 6.8V	
ZD701	12-012110320125	ZENER DIODE 11V	

MC-DX220i/MC-DX221

MAIN PCB

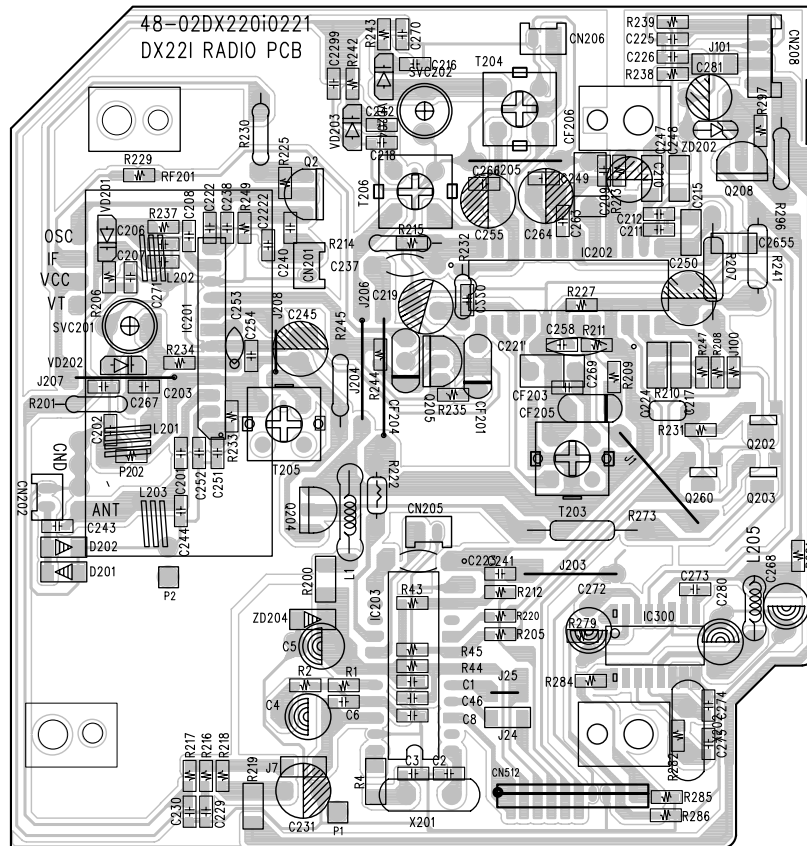


MC-DX220i/MC-DX22i

RADIO PCB ASSY



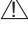






REF. NO	PARTS NO.	DESCRIPTION	REMARKS
	05-02DX220I0000	RADIO PCB ASSY [E,UK]	
	05-02DX22I00010	RADIO PCB ASSY [T/C]	
	48-02DX220I0221	TUNER PCB	
	37-09A151000020	TUNER - FE450-G11	
CF201,204	31-028107000120	CER.FILTER LT10.7MA5-A	
CF203	31-026450010110	CER.FILTER SFU450B	
CF205	31-038107020120	FILTER JT10.7MG46-A	
CF206	31-046456000220	RESONATOR ZTB456F15	
CN202,206	43-012200120120	WAFER 2MM 2P	
CN512	43-022150210120	WAFER 1.5MM 10P	
D201,202	12-1N41480000P1	SMD DIODE 1N4148	
IC202	16-LA1832000021	IC - LA1832	
IC203	16-LC7213100021	IC - LC72131	
IC300	16-BU1924F00021	IC - BU1924F	
L1,205	38-014100050120	AXIAL INDUCTOR 100UH #EC36	
Q202,203,260	11-KTC9014S0025	SMD TR - KTC9014S	
Q204	11-9015C0000021	TR - 9015C	
Q205	11-9018G0000021	TR - 9018G	
Q208	16-LM78L0600021	IC - LM78L06	
R241	38-013100050220	AXIAL INDUCTOR 10UH #EC36	
T203	40-02A049004020	IFT 7MM A049 - YELLOW	
T204	40-023120000020	IFT 7MM 312A - BLACK	
T206	40-02660R002020	IFT 7MM 660R - RED	
VD203,204	12-SVC321SPA021	VARACTOR DIODE SVC321	
VSC202	27-501602202020	TRIMMER 20PF	
X201	31-017450002010	CRYSTAL 4.500MHZ	
X202	31-017433202120	CRYSTAL 4.332MHZ	
ZD204	12-011390320125	ZENER DIODE 3.9V	

RADIO PCB



MC-DX220i/MC-DX22i

SUBWOOFER POWER PCB ASSY

REF. NO	PARTS NO.	DESCRIPTION	REMARKS
	05-07DX220I0000	SUBWOOFER POWER PCB ASSY [E,UK]	
	05-07DX22I00000	SUBWOOFER POWER PCB ASSY [T/C]	
	48-07DX01500123	SUBWOOFER POWER PCB	
CN1	43-012250130120	WAFER 2.5MM 3 PIN	
CN2	43-012200190120	WAFER 2MM 9 PIN	
CN3	43-012200130120	WAFER 2MM 3PIN	
CN4	43-012250150120	WAFER 2.5MM 5 PIN	
CN5	43-012250140120	WAFER 2.5MM 4 PIN	
CN6	43-012250120120	WAFER 2.5MM 2 PIN	
C406	 26-017470950111	E.CAP - 4700UF/35V	
C701	 26-017470850121	E.CAP - 4700UF/25V	
C718,719	 26-017100750121	E.CAP - 1000UF/16V	
D301,706	12-1N40010000P1	RECTIFIER DIODE 1N4001	
D401-404	 12-1N5401000021	RECTIFIER DIODE 1N5401	
D701-704	 12-RL2020000021	RECTIFIER DIODE RL-202	
D705,707	12-1N4148000125	DIODE 1N4148	
FU2,3	 46-055350300010	GLASS FUSE 3.5A/250V [E, UK]	
	 46-055350200010	GLASS FUSE 3.5A/125V [T/C]	
FU4	 46-055400300010	GLASS FUSE T4A/250V [E,UK]	
	 46-055400200010	GLASS FUSE T4A/125V [T/C]	
Q301	11-9014C0000021	TR - 9014C	
Q707,708,710	11-2SD1936T0021	TR - 2SD1936T	
U1	16-TA8216H00021	IC - TA8216H	
U2	16-BA4558N00021	IC - BA4558N	
U3	16-BA5417000021	IC - BA5417	
ZD1,2	12-011910320125	ZENER DIODE 9.1V	

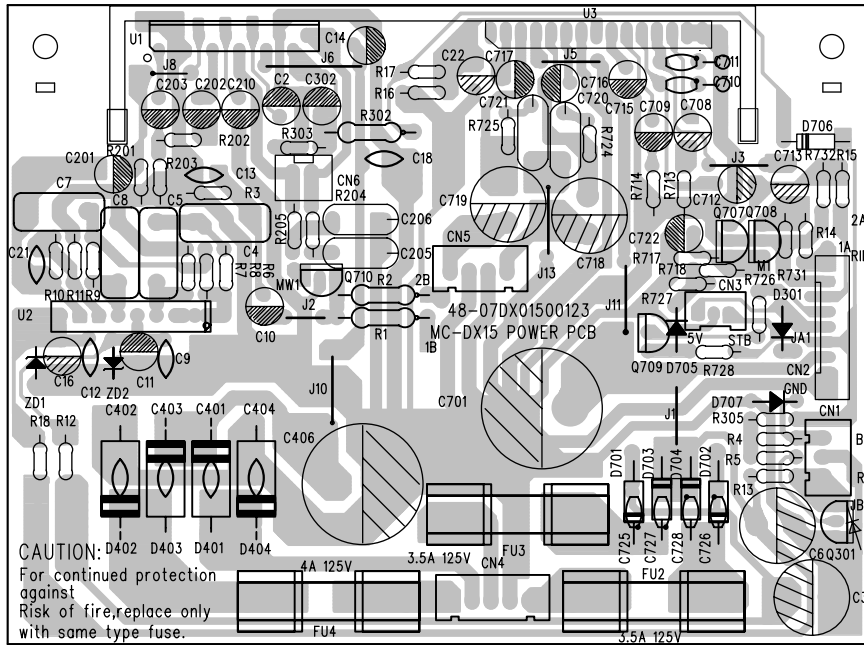
RCA/D-S JACK PCB ASSY

REF. NO	PARTS NO.	DESCRIPTION	REMARKS
	05-08DX01500010	RCA/D-S JACK PCB ASSY [E,UK]	
	05-08DX01500000	RCA/D-S JACK PCB ASSY [T/C]	
	48-08DX01500221	RCA/D-S PCB	
CN801	43-462103003320	D-S TERMINAL #DSW-31	
L801-804	38-103100050320	CHOKE COIL 10UH	
SPK	43-451200006120	RCA JACK 2PIN - TC58-345-32	

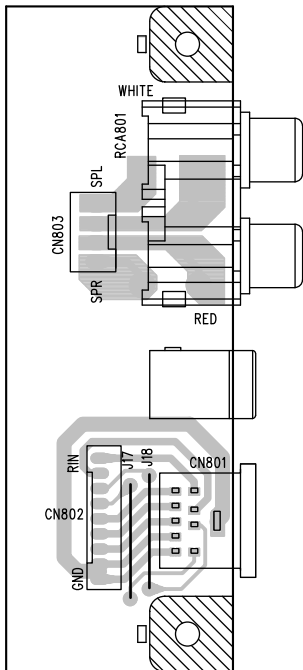
IPOD SOCKET PCB ASSY

REF. NO	PARTS NO.	DESCRIPTION	REMARKS
	05-08DX220I0000	IPOD SOCKET PCB ASSY	
	05-08DX220I0321	IPOD PCB	
D1-4	12-1N41480000P1	SMD DIODE 1N4148	
IC1	16-LM324D000021	IC - SM LM324D	
Q1,2	11-KTC9014S0025	SMD TR - KTC9014S	
SW13,14	41-150010050020	TACT SWITCH 5MM	
ZD1	12-011510320125	ZENER DIODE 5.1V	

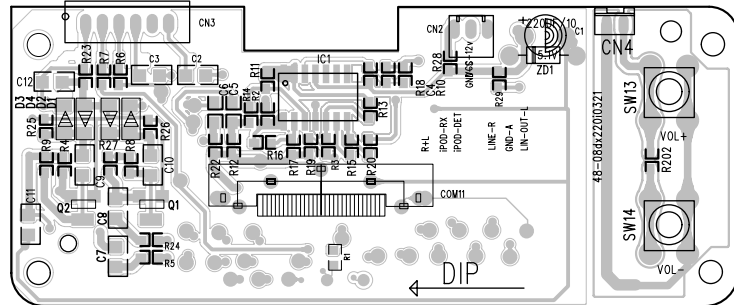
SUBWOOFER POWER PCB



RCA/D-S JACK PCB



IPOD SOCKET PCB





MC-DX220i/MC-DX22i

CD PCB ASSY

REF. NO	PARTS NO.	DESCRIPTION	REMARKS
	05-30DX220I0000	CD PCB ASSY	
	48-30DX220I0221	CD PCB	
CN2	43-022100212120	SMD F.F.C WAFER 1MM 12PIN	
CN5,6,810	43-022200120120	WAFER 2MM 2 PIN	
CN801	43-022100216220	F.F.C WAFER 1MM 16 PIN	
CN802	43-012150160320	WAFER 1.5MM 6PIN	
CN806	43-022200130120	WAFER 2MM 3 PIN	
D800	12-1N5819000021	RECTIFIER DIODE 1N5819	
D801	12-011430320125	ZENER DIODE 4.3V	
IC801	16-LC78690N0021	IC - LC78690NW-E	
IC802	16-LA6548000021	IC - LA6548NH	
IC803	16-LB1641000021	IC - LB1641	
IC804	16-KA7806000121	IC - KA7806E	
L801,802	38-014100050020	AXIAL INDUCTOR 100UH	
Q801	11-9015C0000021	TR - 9015C	
Q802	11-2SB764E00021	TR - 2SB764-E	
X801	31-048169310120	RESONATOR 16.93MX	

STANDBY PCB ASSY

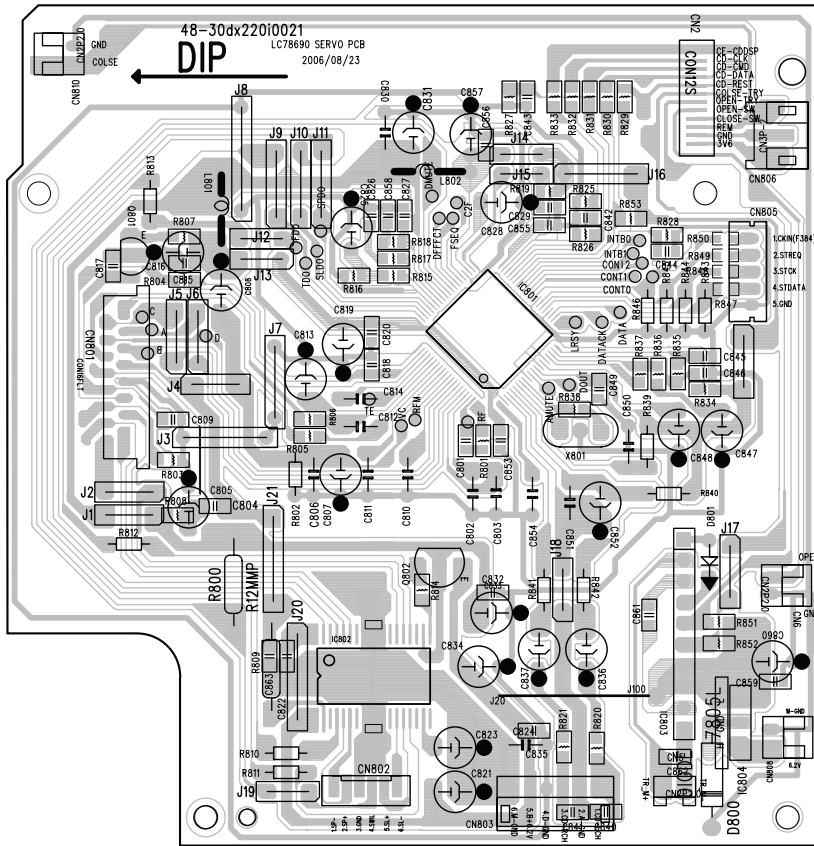
REF. NO	PARTS NO.	DESCRIPTION	REMARKS
	05-03DX220I0000	STANDBY PCB ASSY [E,UK]	
	48-03DX01500123	STANDBY PCB	
CN301	43-012200130120	WAFER 2MM 3PIN	
D309-313	12-1N4001000021	RECTIFIER DIODE - 1N4001	
FU1	 46-074100300020	SUBMINIATURE FUSE 100MA/250V	
Q302	11-9014C0000021	TR - 9014C	
Q303	16-LM78L0500121	IC - LM78L05	
RL301	46-50MC23000000	RELAY ME-7-009	
T301	 18-205DX0150190	TRANSFORMER EI28 - HF-V28A58	

SENSOR PCB ASSY

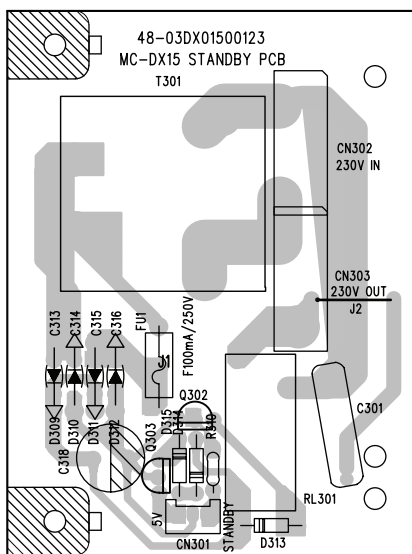
REF. NO	PARTS NO.	DESCRIPTION	REMARKS
	05-27DX220I0000	SENSOR PCB ASSY	
	48-27DX220I0220	SENSOR PCB	
	17-05FM60380012	OPTIC SENSOR FM-6038TM2-5AN	

MC-DX220i/DC-DX22i

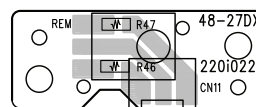
CD PCB



STANDBY PCB



SENSOR PCB



MC-DX220i/MC-DX22i

DISPLAY PCB ASSY

REF. NO	PARTS NO.	DESCRIPTION	REMARKS
	05-04DX220I0000	DISPLAY PCB ASSY [E,UK]	
	05-04DX22I00010	DISPLAY PCB ASSY [T/C]	
	05-04DX220I0221	DISPLAY PCB	
CN1	43-022200120120	WAFER 2MM 2P	
CN2	43-022200130120	WAFER 2MM 3P	
CN6	43-022150210120	WAFER 1.5MM 10P	
CN8	43-022100212221	SMD F.F.C WAFER 1MM 12P	
CN9	43-022150212120	WAFER 1.5MM 12P	
D102	12-1N41480000P1	SMD DIODE 1N4148	
IC101	16-GY4480000021	CPU - GY448	
LCD	13-05DX220I0020	LCD DISPLAY 922-942A-0049	
LED1,2	13-011200121020	LED D2X4MM - WHITE	
LED3-6	13-011206022020	LED D2X4MM - BLUE	
Q101	11-KTC9014S0025	SMD TR - KTC9014S-C	
Q103	11-KTC9015S0025	SMD TR - KTC9015S-C	
SW1-12	41-150010050020	TACT SW 6X6MM	
XT101	31-018100002120	CRYSTAL 10MHZ	
XT102	31-0153200003310	CRYSTAL 32.768KHZ	
ZD101	12-011220320125	ZENER DIODE 2.2V	

HP/AUX PCB ASSY

REF. NO	PARTS NO.	DESCRIPTION	REMARKS
	05-09DX220I0000	HP/AUX PCB ASSY	
	48-09DX220I0220	HP/AUX PCB	
	43-451360002020	PHONE JACK 3.6MM-TC38-060-01	
	43-431360003020	PHONE JACK 3.6MM-TC38-063-05-01	
L401-403,405	38-013100050120	AXIAL INDUCTOR 10UH	

OPEN SW PCB ASSY

REF. NO	PARTS NO.	DESCRIPTION	REMARKS
	48-23DX220I0220	OPEN SW PCB ASSY	
	41-071200010020	SERIES MICRO SWITCH SD-007A	

CLOSE SW PCB ASSY

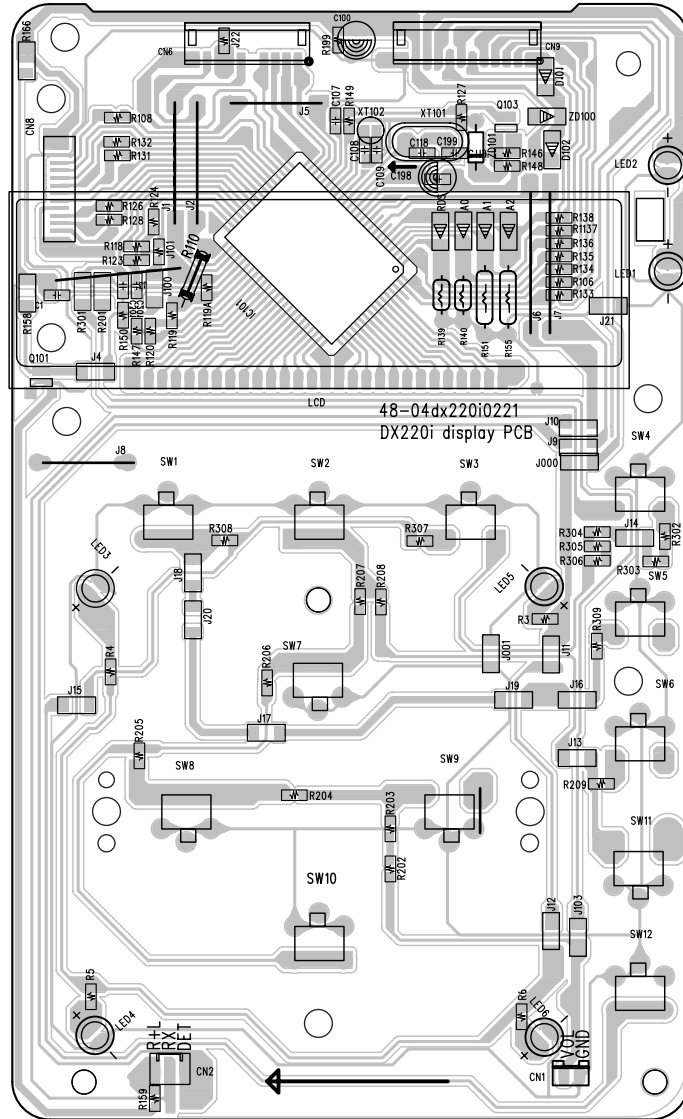
REF. NO	PARTS NO.	DESCRIPTION	REMARKS
	48-23DX220I1220	CLOSE SW PCB ASSY	
	41-071200010020	SERIES MICRO SWITCH SD-007A	

LED PCB ASSY

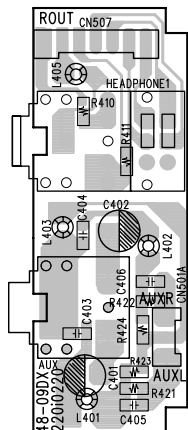
REF. NO	PARTS NO.	DESCRIPTION	REMARKS
	48-16DX01500221	LED PCB ASSY	
	13-011309022020	LED LAMP 3MM - ORANGE/BLUE	

MC-DX220i/MC-DX22i

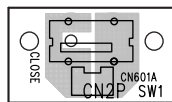
DISPLAY PCB



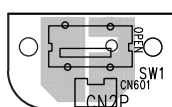
HEADPHONE PCB



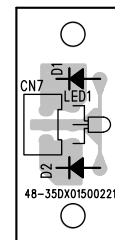
CLOSE PCB



OPEN PCB

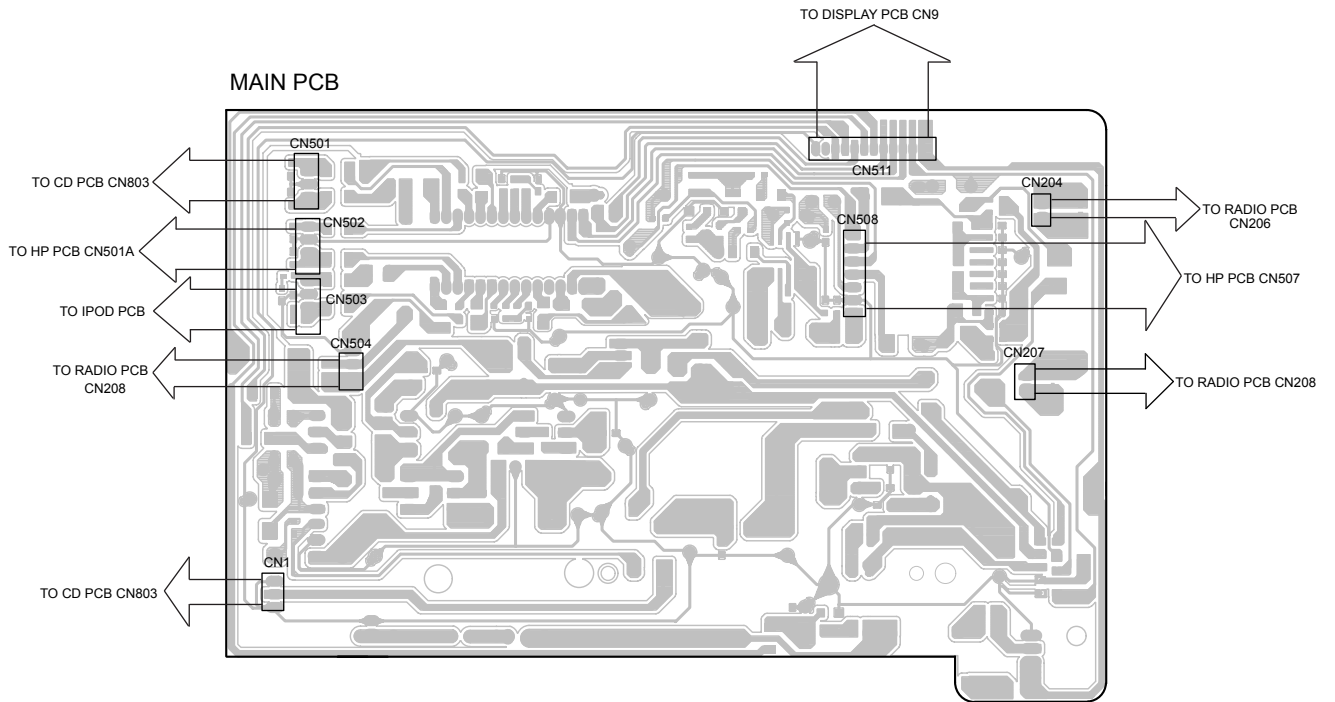


LED PCB

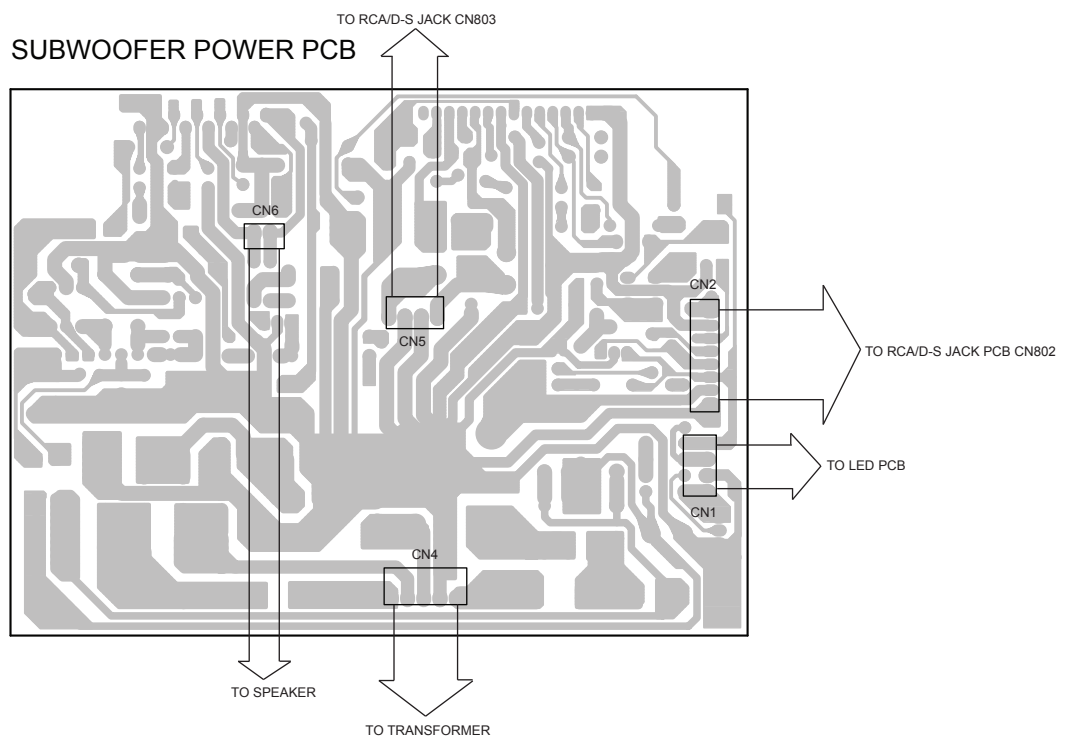
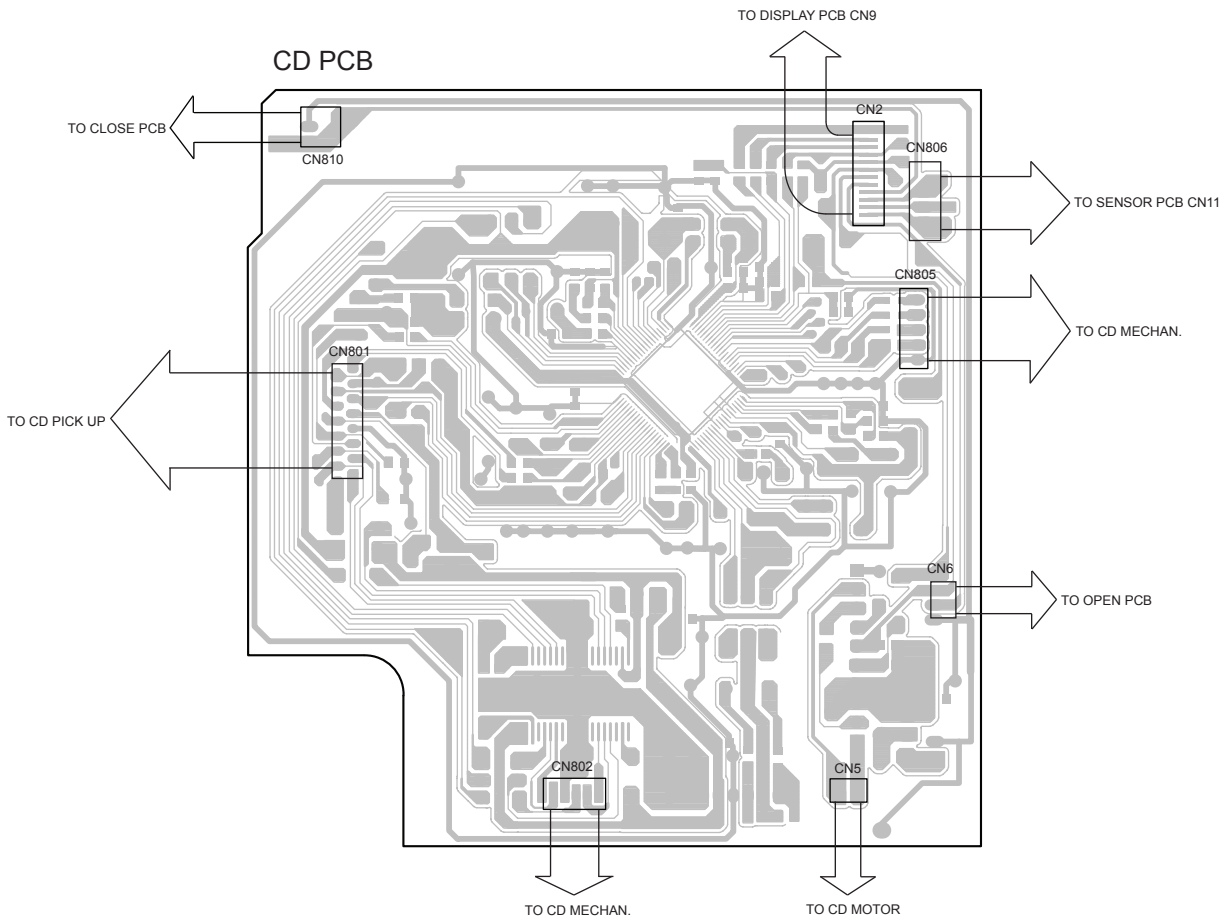


MC-DX220i/MC-DX22i

6 WIRING DIAGRAM



MC-DX220i/DC-DX22i



MC-DX220i/MC-DX22i

7 INCLUDED ACCESSORIES

INCLUDED ACCESSORIES

REF. NO	PARTS NO.	DESCRIPTION	REMARKS
	77-20DX220I0020	INSTRUCTION BOOK-E [UK]	
	77-20DX220I0220	INSTRUCTION BOOK - GEN/IT [E]	
	77-20DX22I00020	INSTRUCTION BOOK - E [T/C]	
	45-194150000020	FM ANT 1.5M - BLACK	
	02-32DX01500000	AM LOOP ANT ASSY	
	45-164250051020	SPEAKER CABLE - WHITE [E,UK]	
	45-164300051120	SPEAKER CABLE - WHITE [T/C]	
	45-164250151020	SPEAKER CABLE - RED [E,UK]	
	45-164300151120	SPEAKER CABLE - RED [T/C]	
	51-021301000080	LITHIUM BATTERY CR2032	
	45-244200059010	9 PIN S TERMINAL CABLE - GREY [E,UK]	
	45-244200059120	9 PIN S TERMINAL CABLE - GREY [T/C]	
	45-263500000120	CONNECT CORD 3.5 ST/PLUGx2 [E,UK]	
	45-263500000220	CONNECT CORD 3.5 ST/PLUGx2 [T/C]	
	02-17DX220I0000	REMOTE CONTROL - RC1103 (MC-DX220i)	
	02-17DX22I00000	REMOTE CONTROL - RC1127 (MC-DX22i)	

MC-DX220i/MC-DX22i

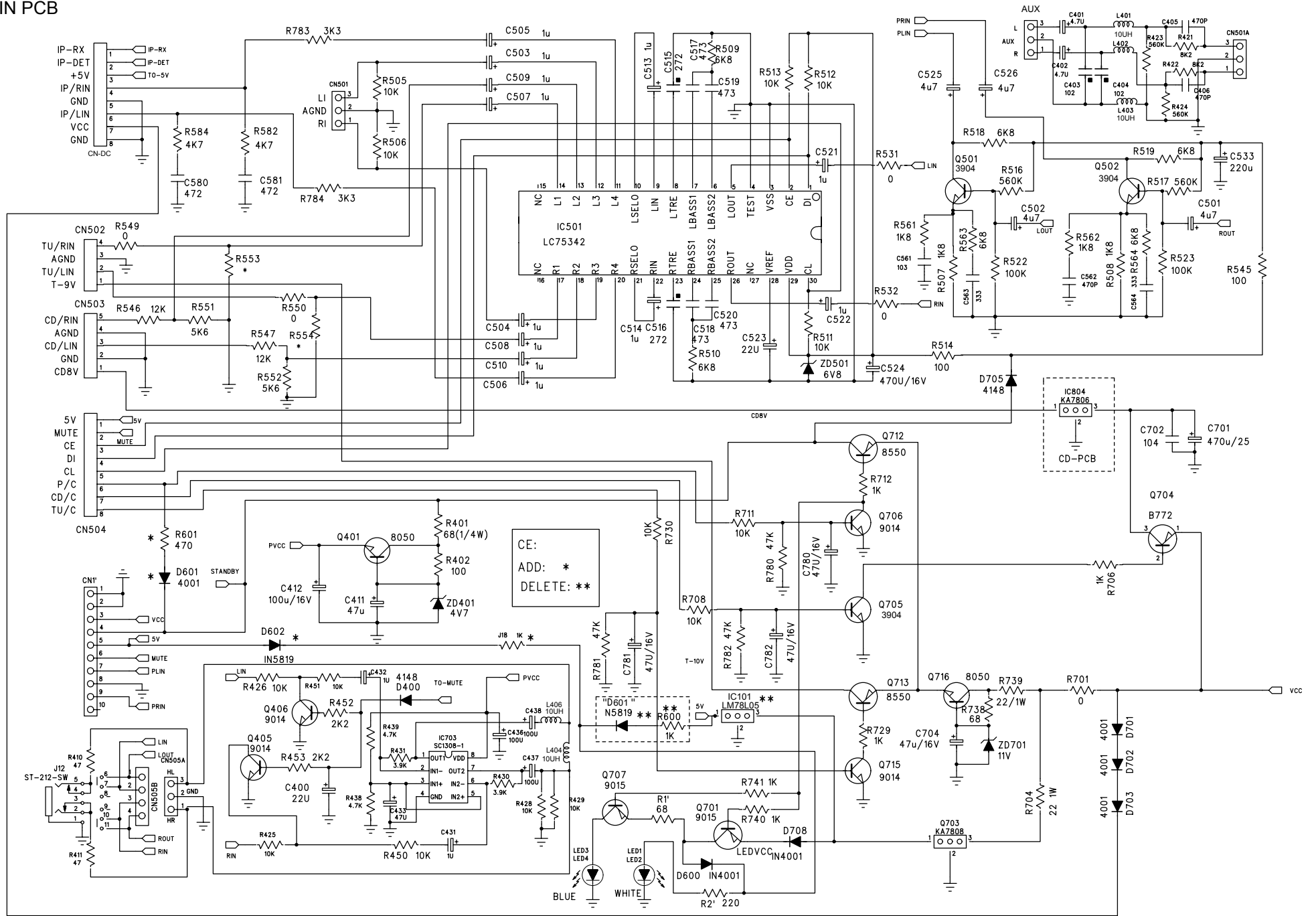
TEAC

TEAC CORPORATION	3-7-3 Nakacho, Musashino-shi, Tokyo 180-8550, Japan Phone:(0422)52-5081
TEAC AMERICA, INC.	7733 Telegraph Road, Montebello, California 90640 Phone: (323)726-0303
TEAC CANADA LTD.	5939 Wallace Street, Mississauga, Ontario L4Z 1Z8, Canada Phone: (905)-890-8008
TEAC MEXICO, S.A.De C.V.	Campesinos N°184, Colonia. Granjas Esmeralda, Delegacion Iztapalapa, CP 09810, Mexico DF Phone: (525)-581-5500
TEAC UK LIMITED	Unit 19 & 20, The Courtyards, Hatters Lane, Watford, Hertfordshire, WD18 8TE5, U.K. Phone:(0845) 130-2511
TEAC EUROPE GmbH	Bahnstrasse 12, 65205 Wiesbaden-Erbenheim, Germany Phone: 0611-71580
TEAC ITALIANA S.p.A.	Via C, Cantu 9/A, 20092 Cinisello Balsamo, Milano, Italy Phone:02-66010550
TEAC AUSTRALIA PTY., LTD.	280 William Street, Melbourne VIC 3000, Australia Phone:(03)9672-2400
A.B.N. 80 005 408 462	

NOV 2006

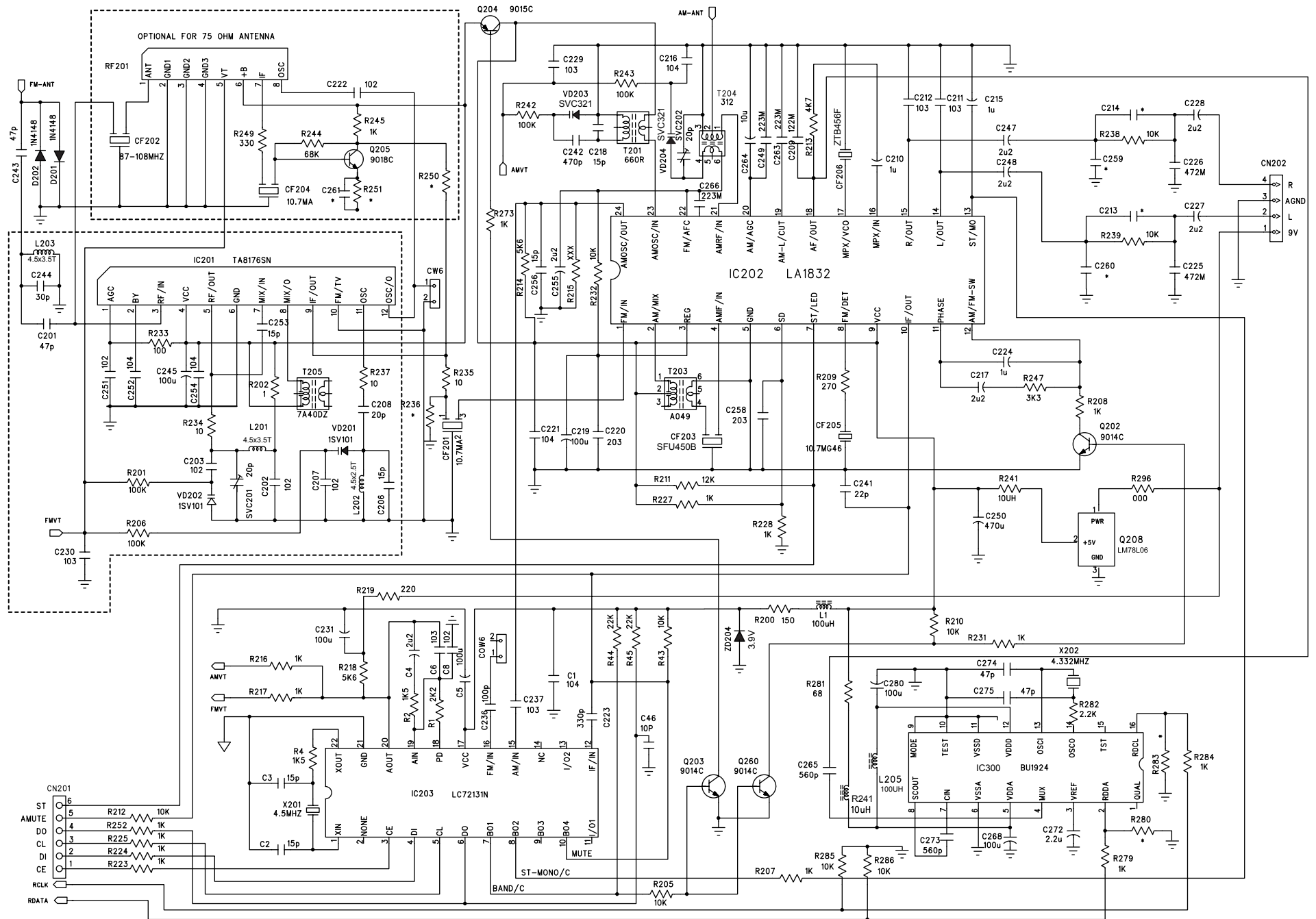
PREPARED IN HONG KONG

MAIN PCB

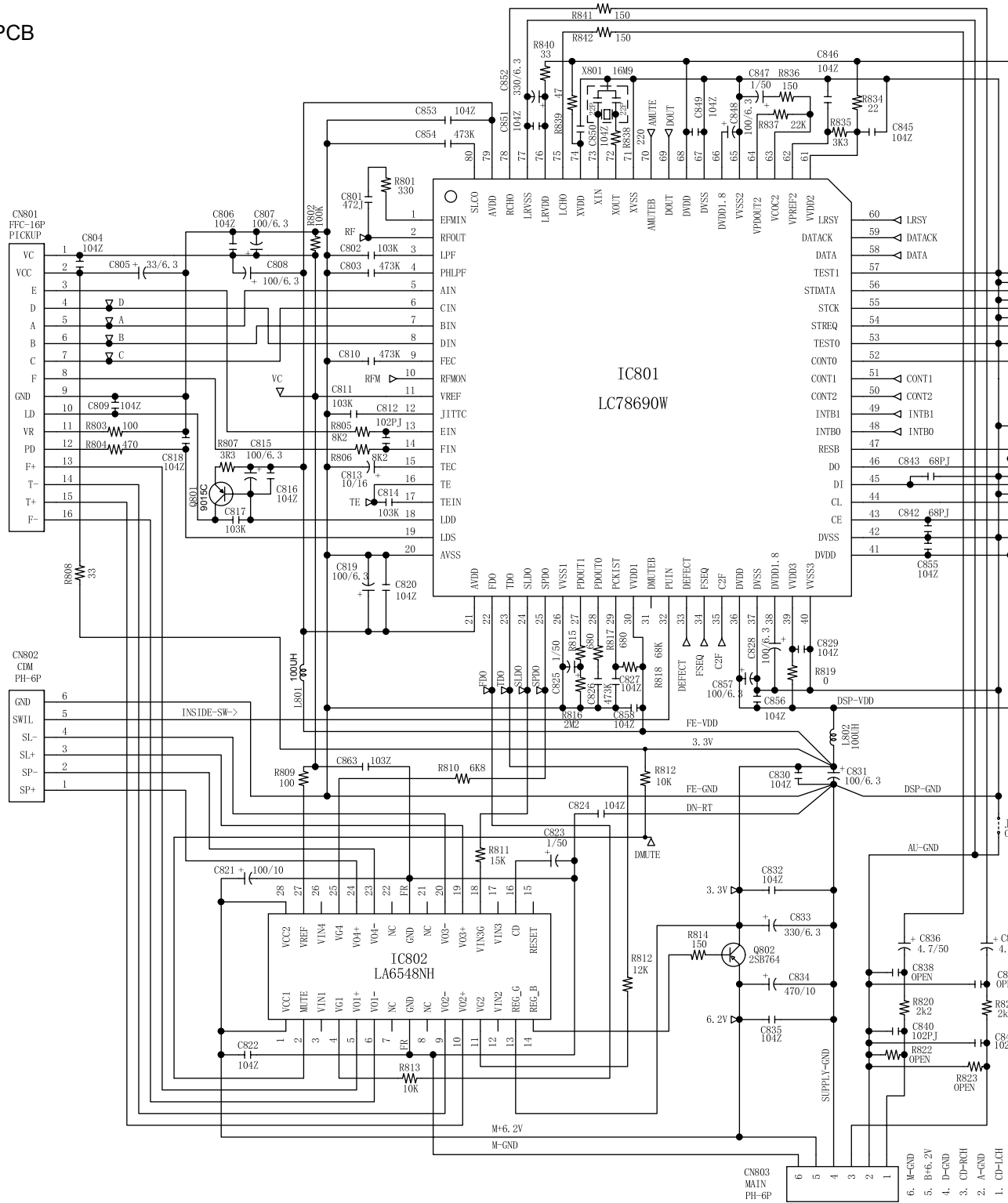


MC-DX220i/MC-DX222i
Micro Hi-Fi System

TUNER PCB

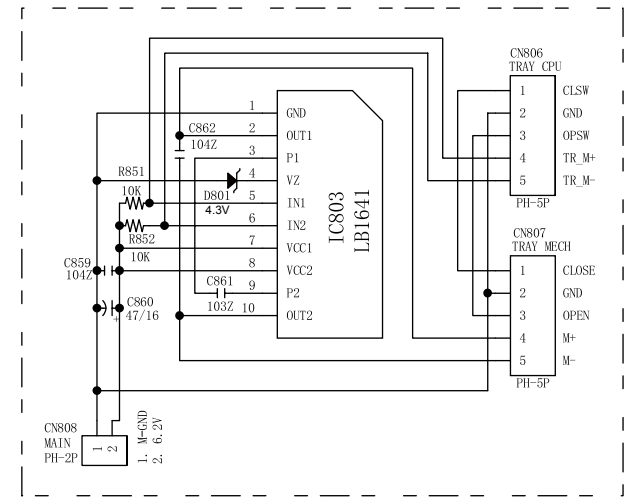


MC-DX220i/MC-DX22i
Micro Hi-Fi System



	No use Stream (Default)	Use Stream
CN805	OPEN	PH-5P
R843	0	5K6
R844	0	5K6
R845	0	OPEN
R846	OPEN	OPEN
R847	OPEN	3K3
R848	OPEN	3K3
R849	OPEN	3K3
R850	OPEN	3K3

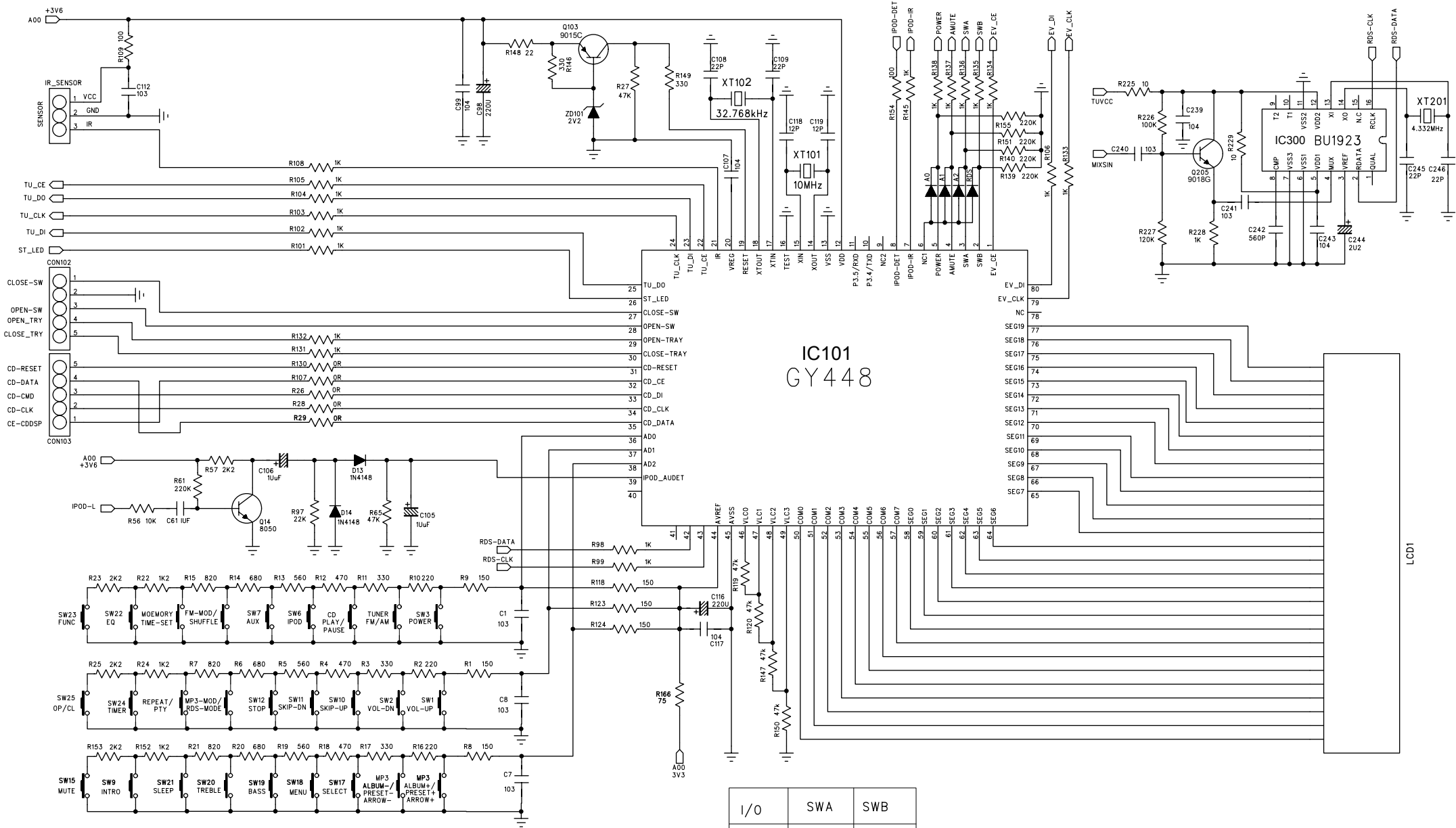
Option for Front-Loading Mechanism



MC-DX220i/MC-DX22i

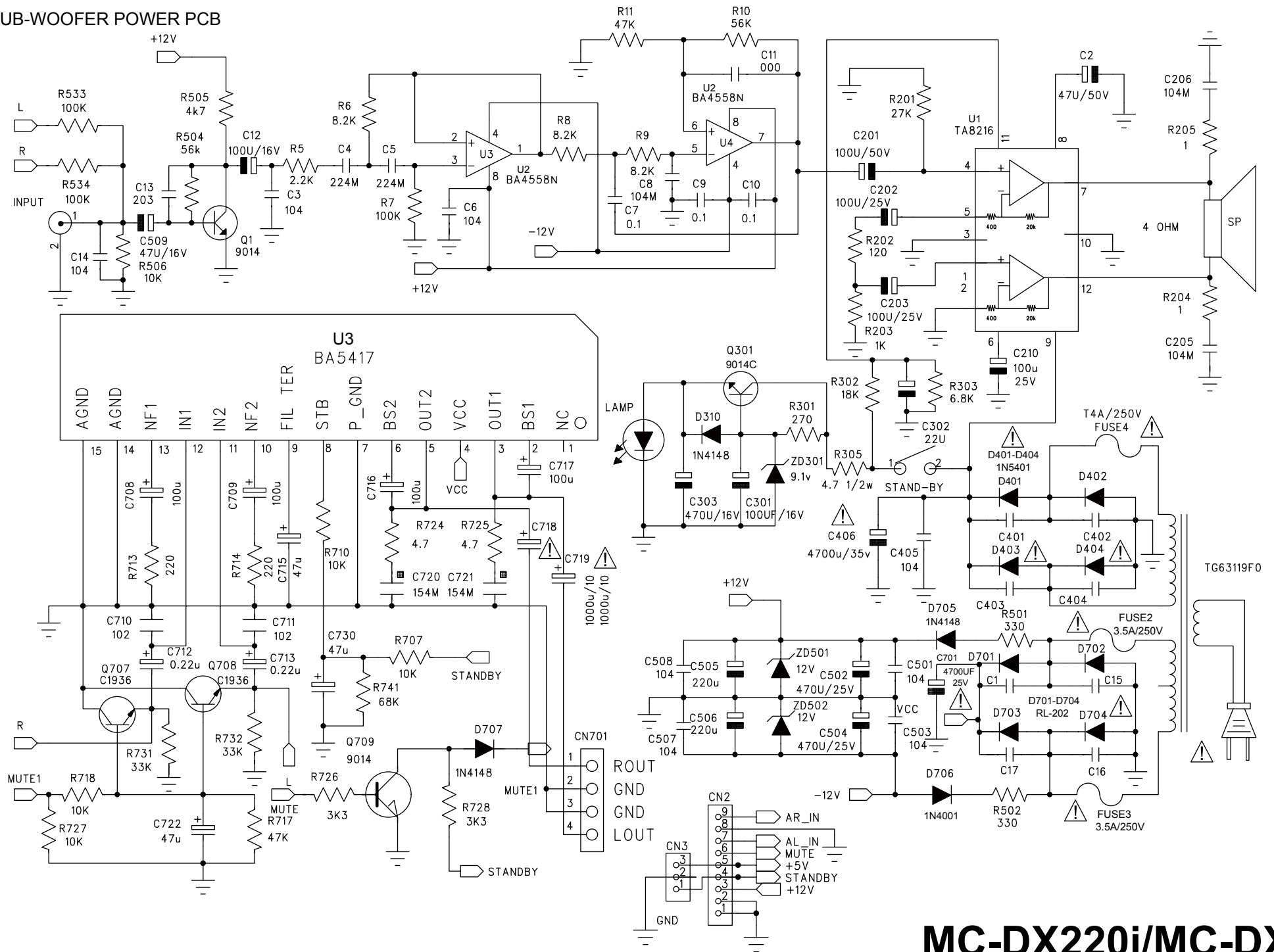
Micro Hi-Fi System

DISPLAY PCB



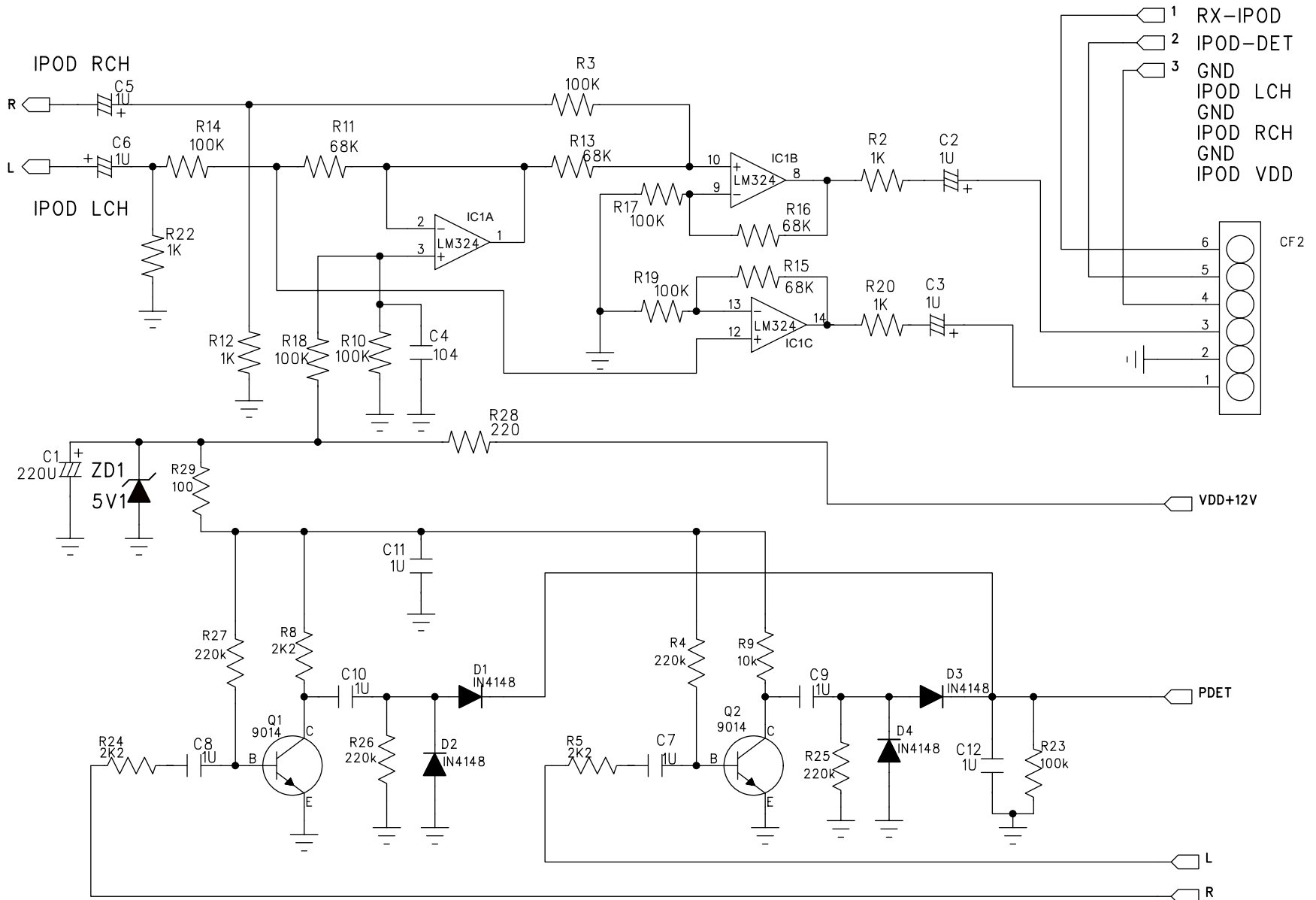
MC-DX220i/MC-DX22i Micro Hi-Fi System

SUB-WOOFER POWER PCB



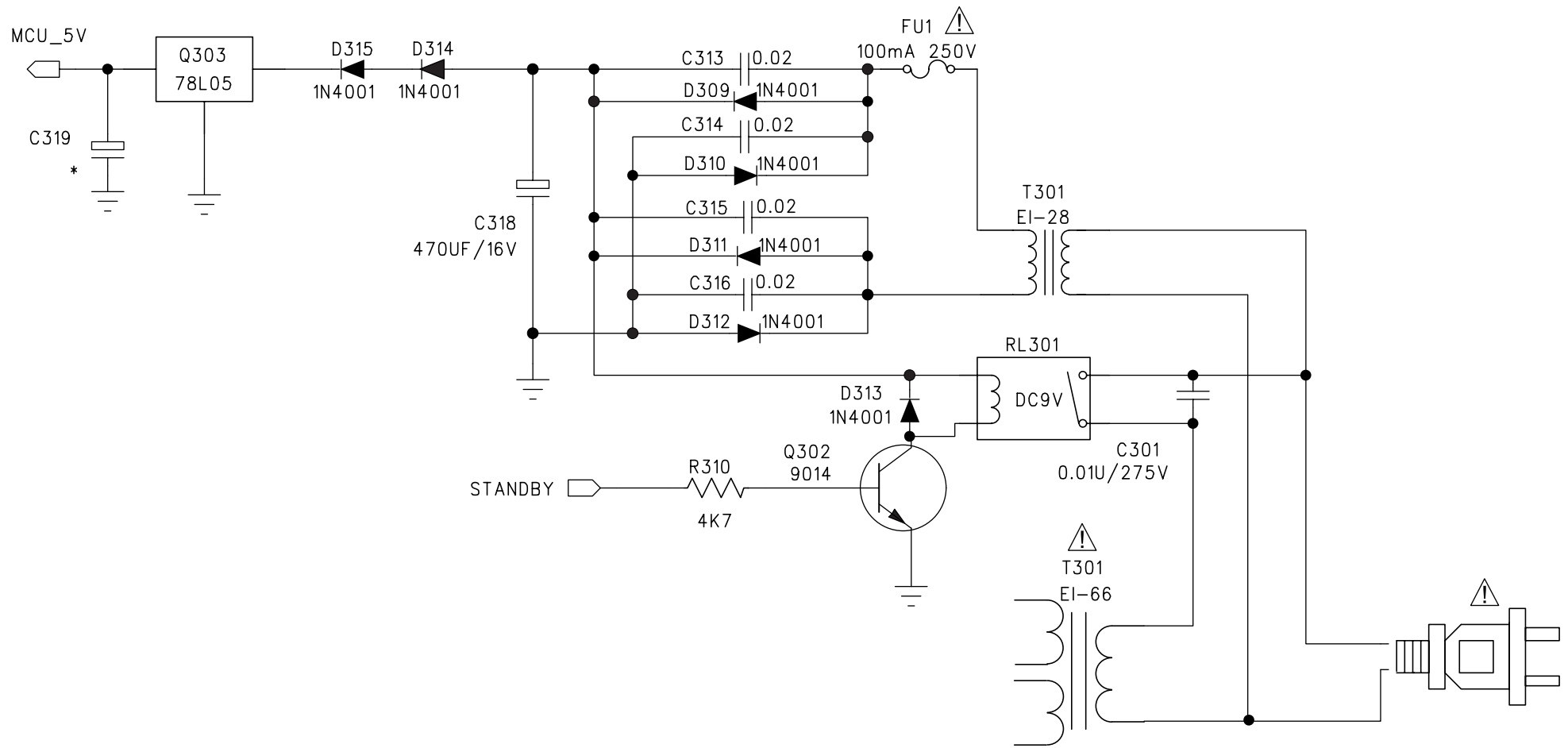
MC-DX220i/MC-DX22i
Micro Hi-Fi System

IPOD PCB



MC-DX220i/MC-DX22i
Micro Hi-Fi System

STANDBY PCB



MC-DX220i/MC-DX22i
Micro Hi-Fi System